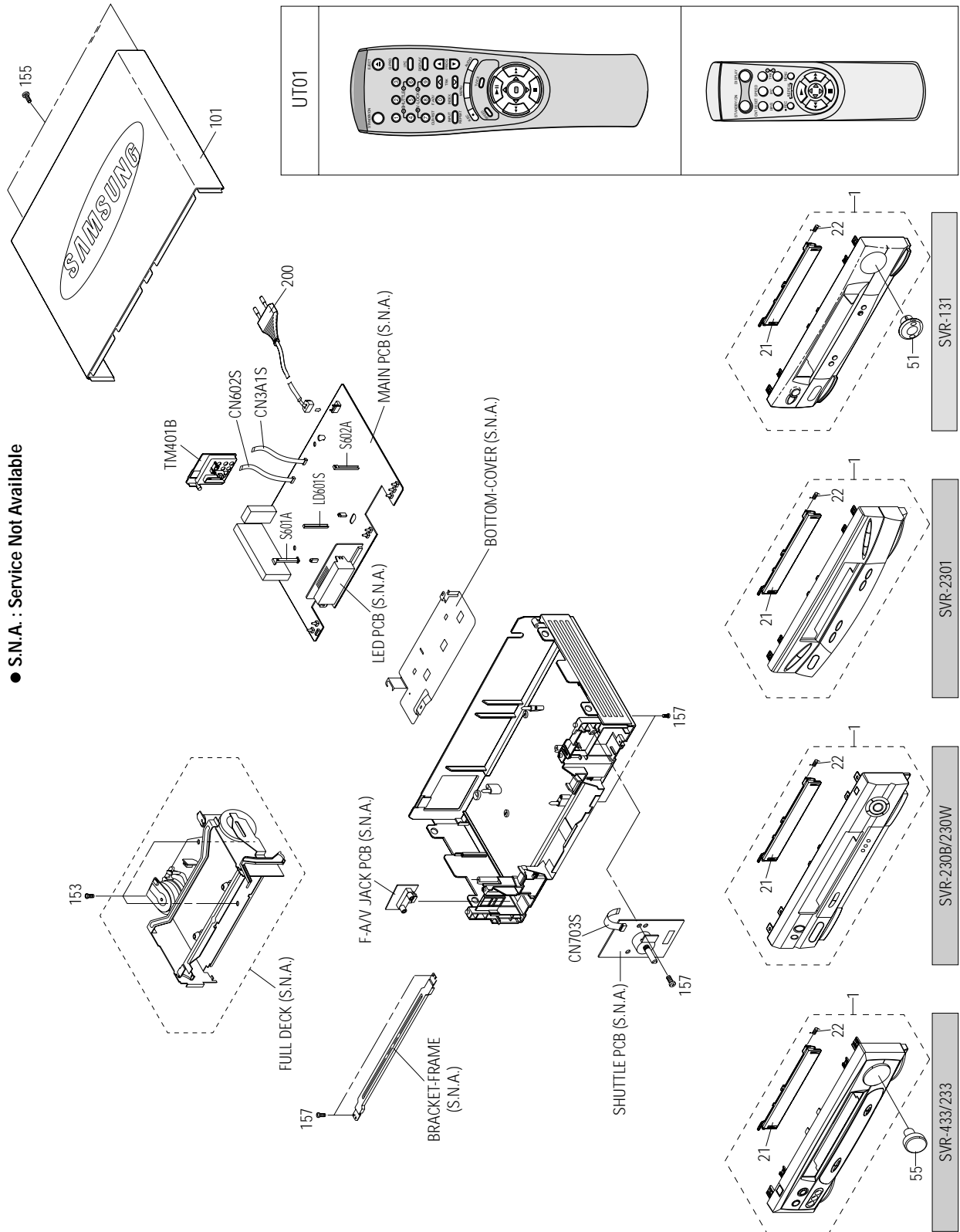

3. Exploded View and Parts List

	Page
3-1 Cabinet Assembly - - - - -	3-2
3-2 Mechanical Parts (Top Side) - - - - -	3-4
3-3 Mechanical Parts (Bottom Side) - - - - -	3-6

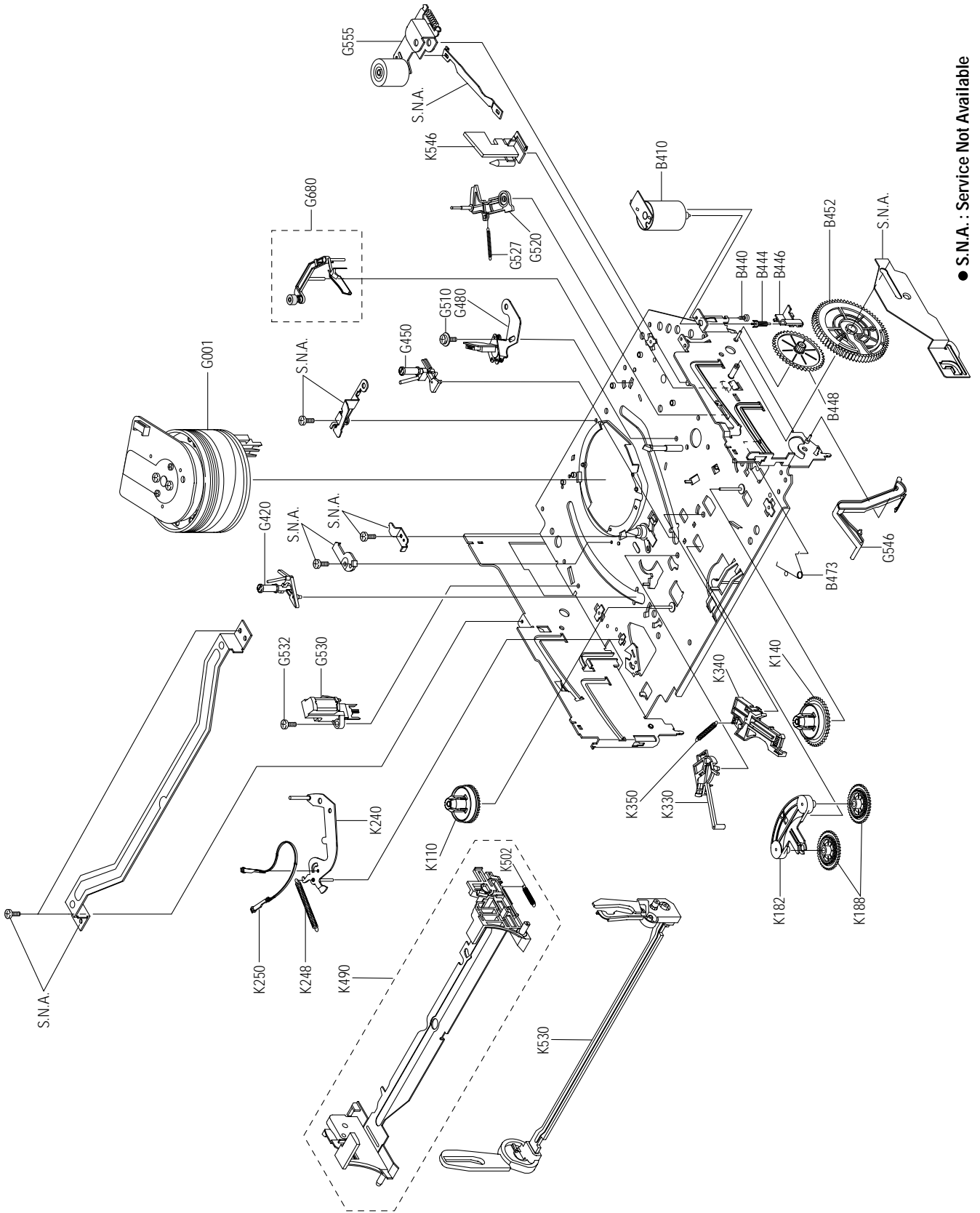
3-1 Cabinet Assembly



Loc. No	Parts No.	Description ; Specification	Remark
1	Refer to table below	ASSY-PANEL FRONT;ABS94HB,-	
21	Refer to table below	DOOR-CASSETTE;-ABS,-,T2.5,189*28,GRAY,-	
22	AC61-62032A	SPRING-MASK;X-9,-,SUS,-,4.4,-,SV-C130	
51	Refer to table below	KNOB-SHUTTLE;-ABS,-,GRAY,HB,SV-130G,-	
101	Refer to table below	CABINET-TOP;X-9,SECC,PCM,0.5,360*208*41,	
153	AC60-12126A	SCREW-BH;-BH,-,4*12,FE,FZY,-,-,-	
155	AC60-12134A	SCREW-TAP BH;-BH,-,2-4X16,-,FE	
157	AC60-10063A	SCREW-TAPTITE;BH,+,-,M3,L12,ZPC3,SWRCH18	
200	AC39-10019A	POWER CORD;KKP-419C,H03VVH2-F,VDE/KEMA-K	
CN3A1S	3809-001110	CABLE-FLAT;30V,80C,150mm,7P,1.25mm,UL289	
CN602S	3809-001112	CABLE-FLAT;30V,80C,130mm,5P,1.25mm,UL289	
CN703S	3809-001112	CABLE-FLAT;30V,80C,130mm,5P,1.25mm,UL289	SHUTTLE MODELS ONLY
LD601A	AC61-21009A	HOLDER-LED;-POM(M90-44)-,BLK,-,X-9	
S601A	AC61-21008A	HOLDER-SENSOR;-POM(M90-44)-,BLK,-,X-9	
S602A	AC61-21008A	HOLDER-SENSOR;-POM(M90-44)-,BLK,-,X-9	
TM401B	Refer to table below	CON-BOARD ASSY;-HIPS,-,T2,61,-,BLK,-,-,	
UT01	Refer to table below	REMOCON-ASSY;-NR4834,-,34KEY,TWIN_M_PAL	

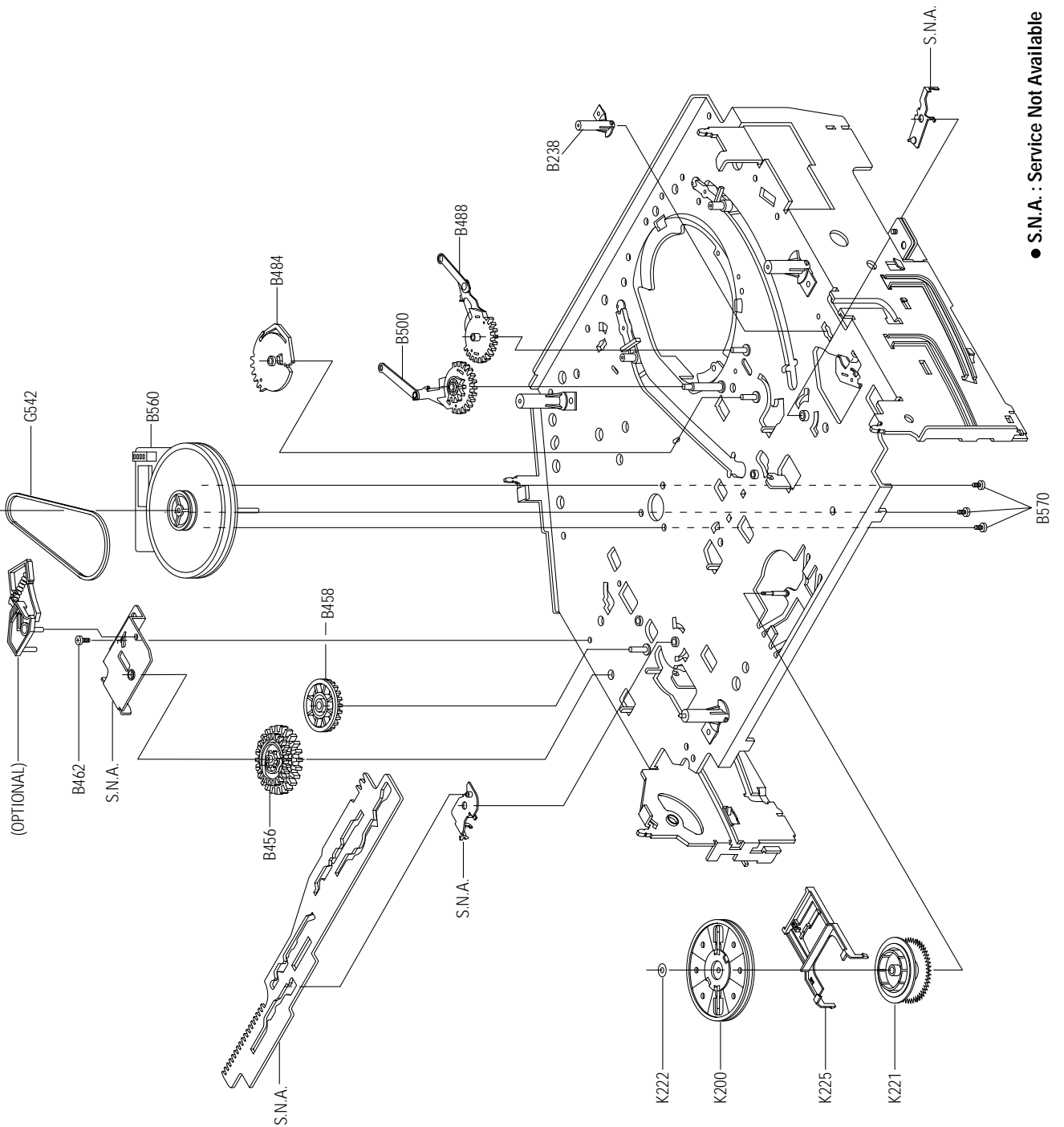
MODELS	1	21	51	101	TM401B	UT01
SVR-433	AC97-00872A	AC64-00203N	AC64-00319A	AC64-30892A	AC61-11063C	AC59-00016F
SVR-233	AC97-00873A	AC64-00203P	AC64-00319A	AC64-30892A	AC61-11063C	AC59-00016F
SVR-230B	AC97-00621H	AC64-00177X	-	AC64-30892A	AC61-11063C	AC59-00016F
SVR-230W	AC97-00621Y	AC64-00177D	-	AC64-00293D	AC61-11063C	AC59-00016H
SVR-2301	AC97-00850A	AC64-00097P	-	AC64-30892A	AC61-11063C	AC59-00017B
SVR-131	AC97-00621J	AC64-00069D	AC64-00216G	AC64-30892A	AC61-11063C	AC59-00013C

3-2 Mechanical Parts (Top Side)



Loc. No	Parts No.	Description ; Specification	Remark
B410	AC31-12016D	MOTOR-LOADING ASSY;-;SNHNE,-,-	
B440	AC60-10515A	SCREW-MACHINE;-;PH,+,-,M3,L3,ZPC,-,YEL	
B444	AC66-20571A	GEAR-WORM;-;POM SW-01,0.5,2,-,4.5,X-9	
B446	AC61-21005A	HOLDER-WORM;-;POM M90-44,-,-,-,X-9	
B448	AC66-20573A	GEAR-WORM WHEEL;-;POM SW-01,0.6,11,-,6.6	
B452	AC66-20575A	GEAR-FL CAM;-;POM SW-01,M0.6,Z88,-,PCD58	
B473	AC61-60559A	SPRING-PINCH DRIVE;-;TS,SUS304,PI0.5,OD4	
G001	AC97-00558A	ASSY-CYLINDER;CX-9T,PAL 4HD/DLC	(SVR-433)
	AC97-00554A	ASSY-CYLINDER;CX-9T, PAL 2HD(LP)/DLC	(SVR-233/230B/230W/230I)
	AC97-00555A	ASSY-CYLINDER;CX-9T, PAL 2HD(LP)	(SVR-131)
G420	AC66-80142A	SLIDER-SUPPLY ASSY;-;X-9(TS),-,-,-,X-9	
G450	AC66-80141A	SLIDER-TAKE UP ASSY;-;X-9(TS),-,-,-,X-9	
G480	AC33-00003A	HEAD-ACE ASSY;SHINHEUNG;-,-,-,-,X-9	
G510	6006-001075	SCREW-ASSY TAPT;WSP,PH,+,-,M2.6,L5.0,ZPC	
G520	AC66-30539A	LEVER-#9 GUIDE ASSY;-;X-9(TS),-,-,-,X-9	
G527	AC61-60553A	SPRING-#9 GUIDE;-;ES,SUS304-WPB,OD3.1,0.	
G530	AC33-00002A	HEAD-FE;-;HVFHP0038A,-,-,-,X-9	
G532	AC60-10519A	SCREW-TAP TITE;-;PH,+,-,M2.6,L8,ZPC	
G546	AC66-30535A	LEVER-FL DOOR;-;POM M90-44,-,-,BLK,X-9	
G555	AC59-90403A	UNIT-PINCH ASSY;X-9,-	
G680	AC66-30557A	LEVER-H/CLEANER ASSY;-;POM+URETHANE,-,-	(OPTIONAL)
K110	AC66-10267A	REEL-DISK S;-;POM M90-44,-,-,X-9	
K140	AC66-10268A	REEL-DISK T;-;POM M90-44,-,-,X-9	
K182	AC66-30524A	LEVER-IDLER;-;POM9044,-,-,-,-	
K188	AC66-20577A	GEAR-IDLER;-;PEBAX 7033,-,-,-,-,X-9	
K240	AC66-30538A	LEVER-TENSION ASSY;-;X-9(TS),-,-,-,X-9	
K248	AC61-60554A	SPRING-TENSION LEVER;-;ES,SUS304-WPB,OD3	
K250	AC63-12029A	BAND-BRAKE ASSY;-;X-9(TS),-,-,-,X-9	
K330	AC66-30550A	LEVER-S.BRAKE ASSY;-;POM+SUS,-,-,-,X-9	
K340	AC66-30549A	LEVER-T.BRAKE ASSY;-;POM+SUS,-,-,-,X-9	
K350	AC61-60564A	SPRING-BRAKE;-;TENSION,SWP-A,0.25,3,-,X-	
K490	AC61-21010B	HOLDER-CASS ASSY;-;SECC+POM+SUS,-,-,-,X-	
K502	AC61-60561A	SPRING-FL.LEVER-LR;-;ES,SUS304 WPB,PI2.7	
K530	AC66-30546A	LEVER-FL.ARM ASS'Y;-;SECC+POM+SUS,-,-,-,-	
K546	AC61-50658A	GUIDE-CASS. DOOR;-;POM M90-44,-,-,NTR,-,	

3-3 Mechanical Parts (Bottom Side)



Loc. No	Parts No.	Description ; Specification	Remark
B238	AC61-50660A	SLEEVE-TENSION;-;POM M90-44,-,-,ID3,-,-,	
B456	AC66-20576A	GEAR-JOINT 1;-;POM SW-01,M1.0,Z22,-,PCD2	
B458	AC66-20574A	GEAR-JOINT 2;-;POM SW-01,M1.0,Z14,-,PCD1	
B462	AC60-10517A	SCREW-TAP TITE;-;PH,+,-,M2.6,L5,ZPC,-,YE	
B484	AC66-20580A	GEAR-LOADING DRIVE;-;POM SW-01,M1.0,Z32,	
B488	AC66-30543A	LEVER-S LOAD ASSY;-,-,-,-,-,X-9	
B500	AC66-30542A	LEVER-T LOAD ASSY;-,-,-,-,-,X-9	
B560	AC31-00005A	MOTOR-CAPSTAN;-;F2QSB02,-,-	
B570	AC60-10514A	SCREW-CAPSTAN;-;PH,+,-,M2.6,L6,-	
G542	AC66-60051A	BELT-PULLEY;-;5CM-70,2 * 2,-,-,71.3,-,X-9	
K200	AC61-21012A	HOLDER-CLUTCH ASSY;-,-,-,-,-,X-9	
K221	AC66-20581A	GEAR-CENTER ASSY;-;POM,M=0.5,-,HIGHT T.,	
K222	AC60-30306A	WASHER-SLIT;-,-,ID2.1,OD5.0,T0.5,-,POLYS	
K225	AC66-30547A	LEVER-UP DOWN ASSY;-;POM+SUS,-,-,-,-,X-9	

MEMO